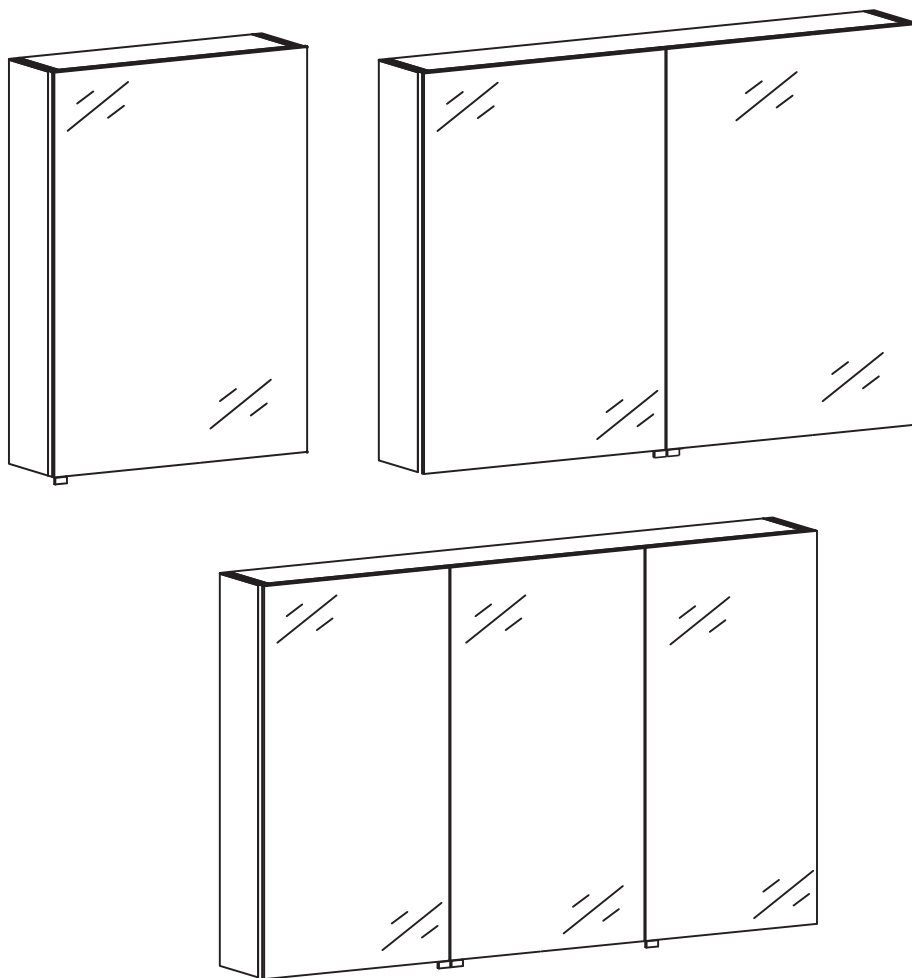


LED SHAVING CABINET INSTALLATION GUIDE

Illustrations may not reflect every exact model



LED SHAVING CABINET INSTALLATION INSTRUCTIONS

Congratulations on choosing from the exquisite BelBagno range of bathroom products. These quality products have been manufactured using premium materials to ensure that they will perform for the life of the product.

To install your BelBagno bathroom products please ensure you read the following instructions below.

IMPORTANT

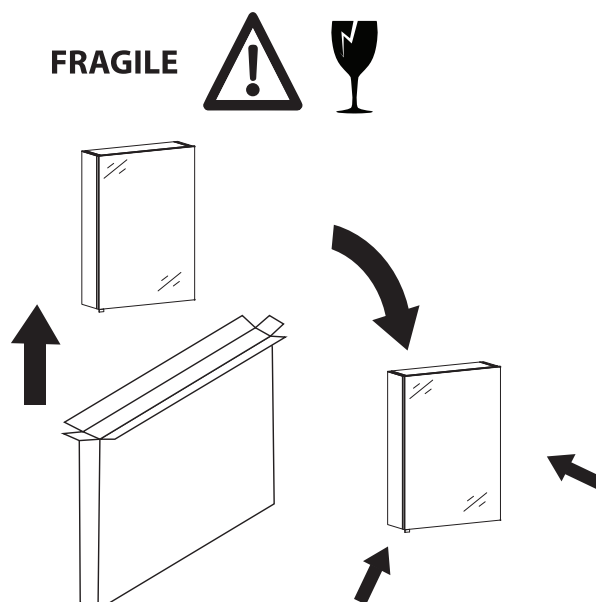
- All LED shaving cabinets must be installed by a qualified electrician accordance with AS/NZC 3000 wiring rules.
- All LED shaving cabinets are suitable for bathroom and non bathroom areas/dry areas. Not suitable for above baths or installation in saunas or shower cubicles.
- Never cover LED shaving cabinets when switched on and always switch off when not in use.
- Do not leave on for prolonged periods.

Prior to installation

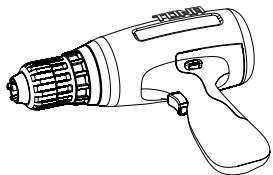
It is important that the product is unpacked and inspected for any damage, defects and that the product supplied is correct. If any of the above is apparent, DO NOT PROCEED WITH THIS INSTALLATION, AND IMMEDIATELY CONTACT THE STORE OF PURCHASE.

Before starting, check that your wall is plumb and flat. If it isn't you will need to pack out the cabinet otherwise doors will not function properly and will be out of alignment. Ensure that the cabinet is level and plumb in all directions.

After installation every cabinet will need some adjustment as the doors and drawers move during transport and installation.



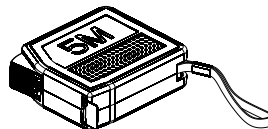
TOOLS REQUIRED FOR INSTALLATION



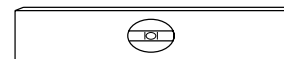
Electric/Battery Drill



Drill Bit



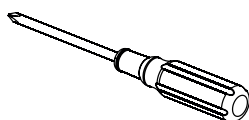
Tape Measure (3m-5m)



Spirit Level



Pencil



Screw Driver

INSTALLATION STEPS

- 1) A licenced electrician must run a switched electrical cable in the cavity of the wall to the centre point of where the mirror is to be installed. Prior to running electrical cable locate desired switch position and confirm with electrician.
- 2) After wall cladding has been completed (tiles, painted plaster wall or other) installation of mirror can be continued.
- 3) Using measuring tape and spirit level mark out desired position for LED shaving cabinet to be hung (we recommend that the split batten provided is to be screwed into timber noggin if installed onto cavity wall. If mirror is to be installed into a masonry wall please use masonry plugs provided).
- 4) Screw split batten onto wall ensure that the short face of the batten faces wall.
- 5) Proceed to fit off electrical connection.
- 6) Hang LED shaving cabinet onto split batten that has been fixed on to wall. Please make sure that mirror is sitting on split batten securely.

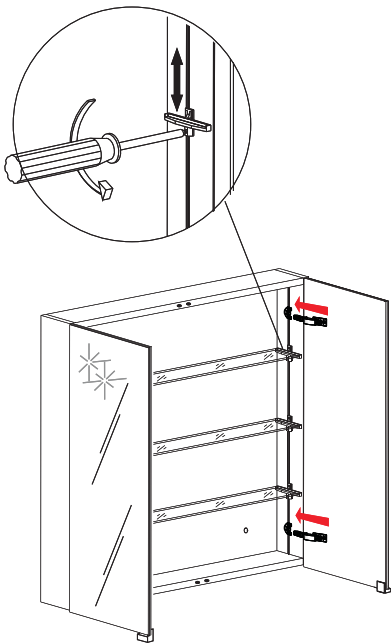
CARE INSTRUCTIONS

GLASS CARE:

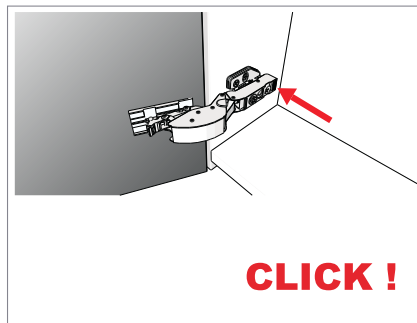
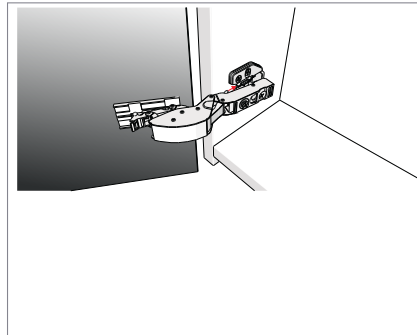
Clean your mirrors using methylated spirits and water a ratio at 30% methylated spirits and 70% water. Please avoid getting water on the back and sides of the mirror as damage to silver backing can occur. **DO NOT USE HARSH WINDOW CLEANERS.** We also recommend if you live in coastal areas wiping around the edge of the mirror once a month to avoid salt built up that can cause silver creep.

ADJUSTMENT OF DOORS AND HINGES

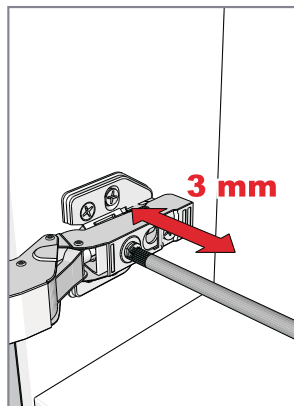
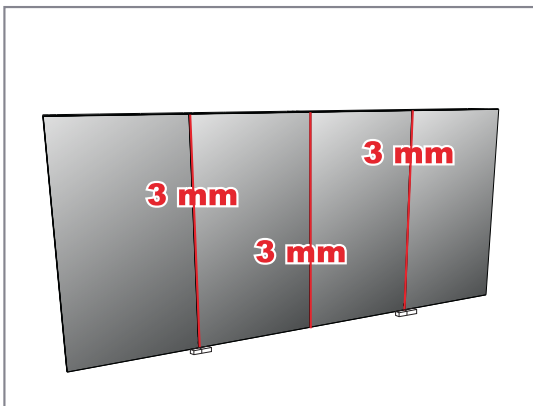
1 2



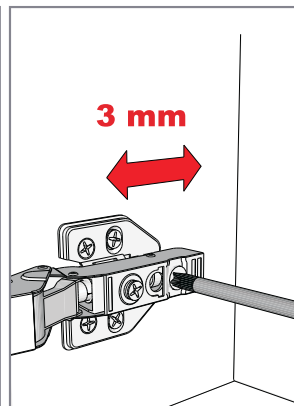
Use the bottom screw for UP/DOWN adjustment



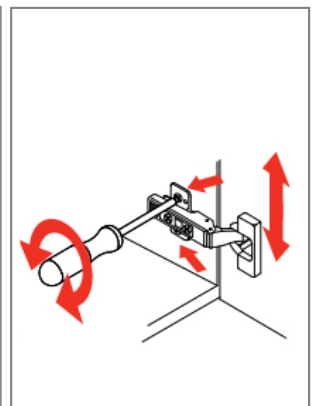
To remove door (if required) pull the clip at the back of each hinge



Use the front screw for LEFT/RIGHT adjustment



Use the back screw for IN/OUT adjustment



Loosen two bracket screws to slide door UP/DOWN. Tighten screws

